

hertz
KOMPRESSOREN

NEW



**HBD
LASER** | **37**

HBD LASER
Rotary Screw Air Compressor
15-50 HP



19-174
cfm

15-50
HP

210-232-
290
psi

HBD LASER SERIES

*Oil Injected, Belt Driven
Rotary Screw Air Compressor*

HBD LASER compressors always offer high performance in laser cutting machines and mining industries.



General Features

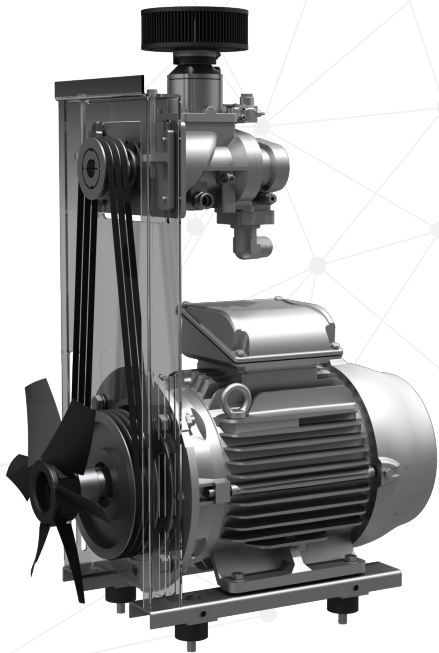
- High quality screw block and motor
- Electronic control
- Easy installation and quick implementation thanks to its compact design
- Designed for continuous operation
- Refrigerated and desiccant dryer options



Advantages

- A booster compressor is not needed to increase the pressure.
- Economic, service-friendly design minimizes downtime and reduces maintenance costs.
- Blind cover allows you to place it up against the wall. Convenient placement makes for easy servicing, maintenance, and access. (30 hp and below)
- Optimized intake chamber and insulated cold air intake increase energy efficiency. (40 hp and above)
- Compact design has the compressed air widget and compressor in a single place meets your expectations and demands at the optimal level.
- Efficient motor keeps energy use and costs down.
- High-quality components for a long service life and low maintenance costs.
- Dew point options from -40 to 37 °F in compact models.





Screw Block

- Durable screw block provides high-capacity of air and is specially selected for each model's capacity requirement
- New rotor profiles for reduced loss air production and lower torque requirements
- Next gen bearing design for improved load bearing capabilities
- Low maintenance and replacement costs



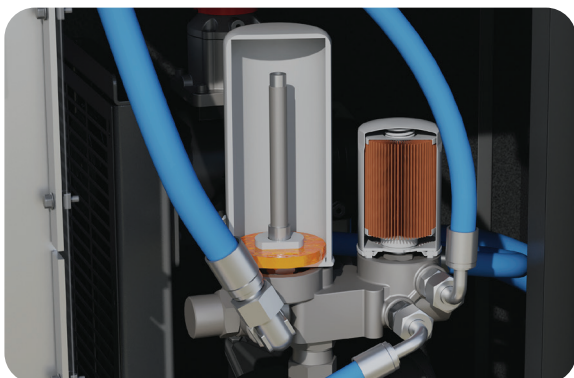
Main Motor and Drive System

- IE3 efficiency-class dual electric motors
- Star/delta motor starter
- Belt-pulley drive system
- Easy-to-use belt tensioner and pulley bushing for easy servicing



Intake System

- 99.9% efficiency in particle separation down to 3 microns
- Low pressure loss
- Easy maintenance
- Long service life



Air & Oil Separator

Spin-on separator

- Easy to replace, assemble, and disassemble
- Vertical oil receiver



Controller

- Without the need for an external main controller, ability to co-aged work synchronized with Master/Slave for up to two compressors
- Internal ModBus communication
- User-friendly on-screen interface
- Alarm log records last 20 alarms



60 Hz

Model	Pressure		Capacity*		Motor	Connection	Dimensions (in.)			Weight
	psi	bar	cfm	m ³ /min			HP/kW	Length	Width	
HBD LASER 11	210	14,9	34	0,97	15/11	3/4" NPT	38	29	47	650
	232	16	28	0,78						
	290	20	19	0,55						
HBD LASER 15	210	14,9	52	1,48	20/15	3/4" NPT	38	29	47	694
	232	16	48	1,37						
	290	20	36	1,02						
HBD LASER 18	210	14,9	61	1,72	25/18,5	1" NPT	41	37	58	937
	232	16	57	1,60						
	290	20	41	1,15						
HBD LASER 22	210	14,9	82	2,32	30/22	1" NPT	41	37	58	1025
	232	16	75	2,13						
	290	20	57	1,61						
HBD LASER 30	210	14,9	124	3,51	40/30	1 1/4" NPT	45	41	63	1467
	232	16	113	3,20						
	290	20	93	2,63						
HBD LASER 37	210	14,9	174	4,94	50/37	1 1/4" NPT	45	41	63	1598
	232	16	160	4,53						
	290	20	118	3,34						

- Unit performances measured in rference conditions which are 1 bar /14.5 psig absolute air pressure, %0 relative humidity, 20°C / 68 °F inlet air temperature, 71°C/160 °F thermostatic valve set temperature and use of Smartoil.
- HERTZ KOMPRESSOREN reserves its rights to make changes in its products and specifications without prior notice.
- * Refers to free air delivery measured according to ISO 1217:2009, Annex C standard.

